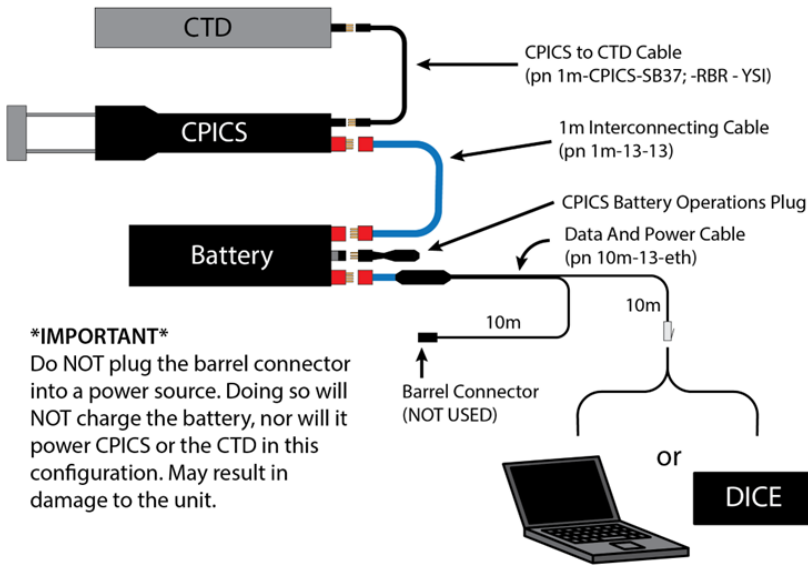
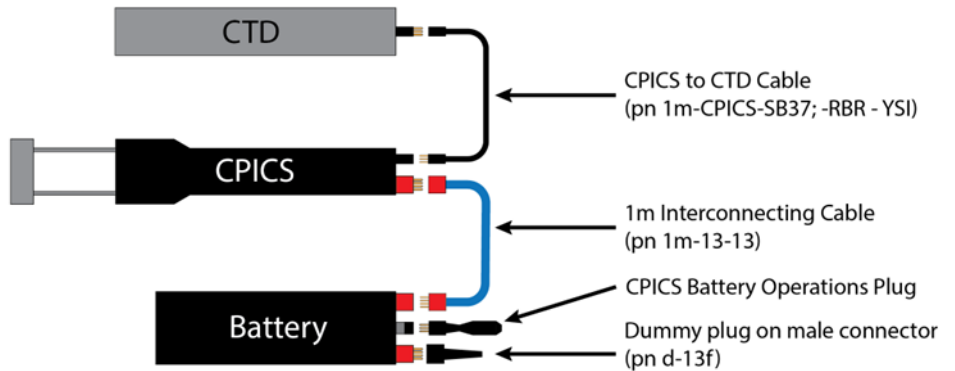


### CPICS Battery Operation with Computer Monitoring or Data Transfer



**\*IMPORTANT\***  
Do NOT plug the barrel connector into a power source. Doing so will NOT charge the battery, nor will it power CPICS or the CTD in this configuration. May result in damage to the unit.

### Normal Operations on CTD Rosette



### Testing and Setup Operations On Bench or Rosette

